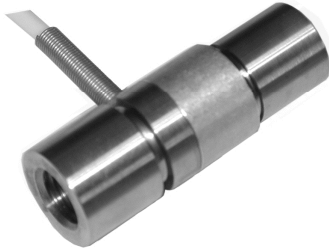


XFTC322 Miniature Load Cell



- Range from 0-5kN to 0-10kN [0-1 klf to 2 klf]
- Tension and/or Compression
- High Stiffness
- For Static and Dynamic Applications
- Threaded Female Mechanical Fitting
- High Temperature Range : -55 to 175 ° C [-67 to 347 ° F]
- High Level Output Model with Integrated Amplifier

DESCRIPTION

The **XFTC322** series has been specifically developed to measure tension and/or compression in static and dynamic applications. Fitted with metallic strain gages in a Wheatstone bridge circuit, the **XFTC322** has the capacity of measuring heavy loads of up to 10 kN [2 klf], while providing excellent temperature stability. With two threaded M10 studs, the **XFTC322** is easily installed in industrial or OEM applications. A strain relief spring strengthens the cable output.

With many years of experience as a designer and manufacturer of sensors, Measurement Specialties, Inc. often works with customers to design or customize sensors for specific uses and testing environments.

To meet your needs we also offer complete turnkey systems. The matched components (sensor, power, amplifier and digital display) are formatted, calibrated and ready for immediate use.

FEATURES

- Wide range of temperature compensated
- Optional IP rating improvement
- Heavy duty
- High stiffness
- Easy to customized signal and design

APPLICATIONS

- Dynamic strain cylinder regulation
- Miniature press-fit device
- Fatigue test benches
- Robotics regulation
- Heat room environment

STANDARD RANGES

F.S. Ranges in N	5k	10k
F.S. Ranges in lbf	1k	2k
Stiffness in N/m	2×10^9	4×10^9
Stiffness in lbf/ft	1.4×10^8	2.7×10^8
Material	Stainless Steel	Stainless Steel

XFTC322 Miniature Load Cell

PERFORMANCE SPECIFICATIONS

All values are typical at temperature 20±1°C

PARAMETERS		
Operating Temperature Range (OTR)	Without electronic	-55 to 175° C [-67 to 347° F]
	With A1 option	-55 to 125° C [-67 to 257° F]
Compensated Temperature Range (CTR)	Without electronic	0 to 150° C [32 to 302° F]
	With A1 option	0 to 100° C [32 to 212° F]
Zero Shift in CTR	<1% F.S. / 50° C [/100° F]	
Sensitivity Shift in CTR	<1% of reading / 50° C [/100° F]	
Range (F.S.)	0-5kN to 0-10kN [0-1klbf to 0-2 klbf]	
Over-Range		
Without Damage	1.5 x F.S.	
Without Destruction	3 x F.S.	
Accuracy		
Linearity	≤±0.5%F.S.	
Hysteresis	≤±0.5% F.S.	

Temperature restriction notes

For sensor which integrated the A1 amplifier, the OTR is limited from -40°C to 85°C [-40°F to 185°F] maximum due to internal components.

Electrical Characteristics

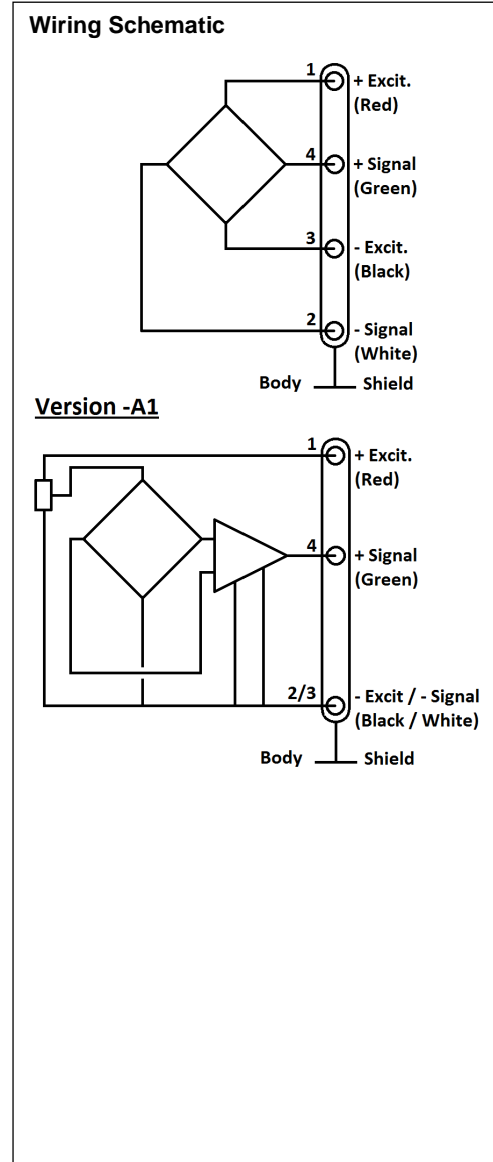
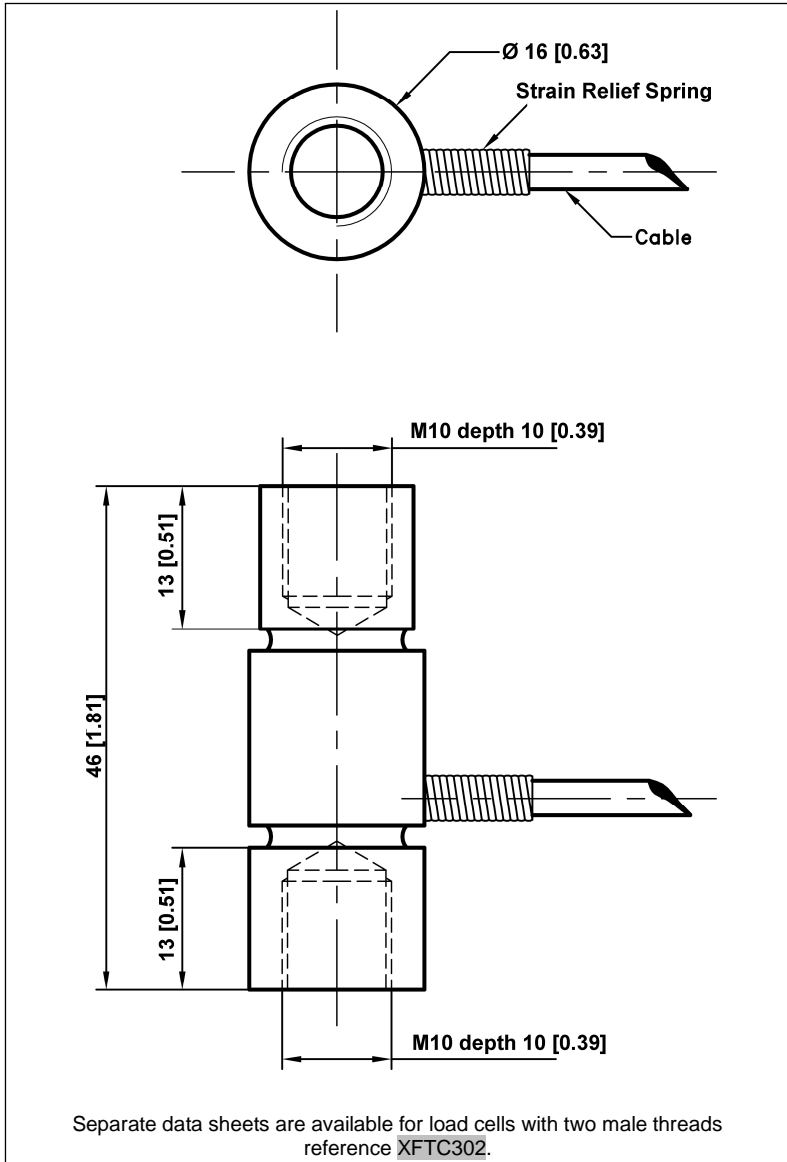
Model	XFTC322	XFTC322-A1
Supply Voltage	10Vdc	10 – 30Vdc
F.S. Output ⁴	±10mV	±2V ±5% F.S.
Zero Offset ⁴	<±5% F.S.	2.5V ±5% F.S.
Input Impedance/Consumption	700Ω	<30mA
Output Impedance	350Ω	<1 kΩ ⁵
Insulation under 50Vdc	≥1000MΩ	≥100MΩ

Notes

1. Shielded cable with 4 wires (AWG28), standard length 2 m [6.5 ft] with strain relief spring
2. Material: Body in stainless steel ; Two female threaded studs M10 or [3/8-24 UNF] (metric thread is standard)
3. Protection Index: IP50 (other levels available on request)
4. Standard output signal, custom outputs available on request
5. Output impedance standard, available <100Ω on request.
6. CE compliance according to EN 61010-1, EN 50081-1, EN 50082-1

XFTC322 Miniature Load Cell

DIMENSIONS & WIRING SCHEMATIC (IN METRIC AND IMPERIAL)



Dimensions in mm [inch]

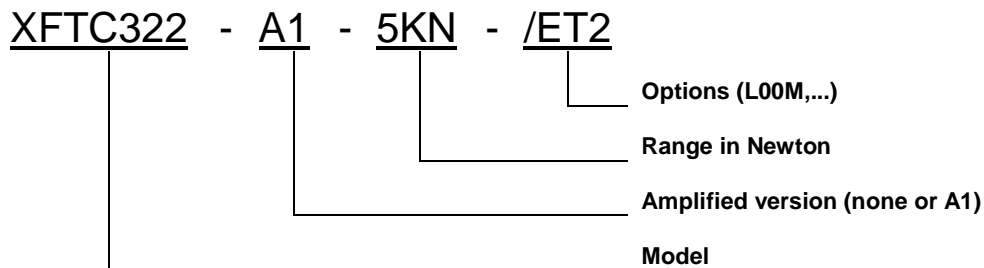
Full Scale Range in N [in lbf]	5k [1k]	10k [2k]
Material	Stainless Steel	Stainless Steel
Stiffness in N/m	2×10^9	4×10^9
Stiffness in lbf/ft	1.4×10^8	2.7×10^8

XFTC322 Miniature Load Cell

OPTIONS

A1	: Tension output with unipolar power supply
ET2	: CTR -40 to 120° C [-40 to 248° F] (not compatible with A1 option)
ET4	: CTR -40 to 175° C [-40 to 347° F] (not compatible with A1 option)
HA	: Accuracy (CNL&H) $\leq \pm 0.5\%$ F.S.
TS	: Tolerance on F.S. output $\leq \pm 2\%$ F.S. (only for A1 option)
L00M	: special cable length, replace "00" with total length in meters

ORDERING INFO



NORTH AMERICA

Measurement Specialties, Inc.
Vibration Design Center
32 Journey - Suite 150
Aliso Viejo, CA 92656
United States USA
Tel: 1-949-716-0877
Fax: 1-949-916-5677
t&m@meas-spec.com

EUROPE

Measurement Specialties
(Europe), Ltd.
26 Rue des Dames
78340 Les Clayes-Sous-Bois,
France
Tel: +33 (0) 130 79 33 00
Fax: +33 (0) 134 81 03 59
cs.lcsb@meas-spec.com

ASIA

Measurement Specialties
(China), Ltd.
No. 26 Langshan Road
Shenzhen High-Tech Park (North)
Nanshan District, Shenzhen
518057
China
Tel: +86 755 3330 5088
Fax: +86 755 3330 5099
pfg.cs.asia@meas-spec.com

The information in this sheet has been carefully reviewed and is believed to be accurate; however, no responsibility is assumed for inaccuracies. Furthermore, this information does not convey to the purchaser of such devices any license under the patent rights to the manufacturer. Measurement Specialties, Inc. reserves the right to make changes without further notice to any product herein. Measurement Specialties, Inc. makes no warranty, representation or guarantee regarding the suitability of its product for any particular purpose, nor does Measurement Specialties, Inc. assume any liability arising out of the application or use of any product or circuit and specifically disclaims any and all liability, including without limitation consequential or incidental damages. Typical parameters can and do vary in different applications. All operating parameters must be validated for each customer application by customer's technical experts. Measurement Specialties, Inc. does not convey any license under its patent rights nor the rights of others.