

## XPM4 Miniature Pressure Transducer



- Absolute, sealed and gauge ranges 5 to 200 bars [75 psi to 3 000 psi]
- Titanium device
- Cable or connector output
- For static and dynamic applications
- Linearity up to  $\pm 0.35\%$  F.S.

### DESCRIPTION

The **XPM4** is a miniature transducer designed to measure static and dynamic pressure under a wide variety of conditions, including hostile environments. The all-titanium construction and flush diaphragm protect the sensor against most corrosive environments.

The **XPM4** incorporates Measurement Specialties, Inc. cutting-edge SanShift™ technology, which virtually eliminates zero shifts caused by installation torque. The **XPM4**'s sensing element is a fully temperature compensated Wheatstone bridge configuration made with high stability micro-machined silicon strain gauges which optimize performance, especially at low ranges and high frequencies. All models come with a cable output strengthened by a strain relief spring or with an electrical connector (optional).

With many years of experience as a designer and manufacturer of sensors, Measurement Specialties, Inc. often works with customers to design or customize sensors for specific uses and testing environments. To meet your needs we also offer complete turnkey systems. The matched components (sensor, power, amplifier and digital display) are formatted, calibrated and ready for immediate use.

### FEATURES

- Flush Diaphragm, All-Titanium Construction
- Low Installation Torque Sensitivity
- M4x0.7 thread
- Linearity up to  $\pm 0.35\%$  F.S.
- For Static and Dynamic Applications

### APPLICATIONS

- Glue dispensing systems
- Explosion test benches
- Oven monitoring equipment
- Robotics and effectors
- Laboratory and research

### STANDARD RANGES

Full Scale (FS)		Pressure Reference			Natural frequency (in kHz)
bar	psi	Absolute	Gauge	Sealed	
5	75	•	•	•	249
10	150	•	•	•	249
20	300	•	•	•	299
35	500	•	•	•	299
50	750	•	•	•	374
100	1.5K			•	474
200	3K			•	673

## XPM4 Miniature Pressure Transducer

### PERFORMANCE SPECIFICATIONS

All values are typical at temperature 20±1 °C

PARAMETERS	
Operating Temperature Range (OTR)	-40 to 120 °C [-40 to 248 °F]
Compensated Temperature Range (CTR)	0 to 60 °C [32 to 140 °F]
Zero Shift in CTR	<2.5% F.S./50 °C [100 °F] (<7% for 5 bar [75 psi] model)
Sensitivity Shift in CTR	<2% of reading /50 °C [100 °F]
Range (F.S.)	See standard ranges table
<b>Tightening Torque</b>	
Nominal (zero and sensitivity shift <1%)	1.8 N.m [15 Lbf.in]
Maximal	3 N.m [25 Lbf.in]
<b>Over-Range</b>	
Without Damage	2 x F.S.
Without Destruction	5 x F.S.
<b>Accuracy</b>	
Linearity	±0.35% F.S. (±0.5% for 5 bar [75 psi] model)
Hysteresis	±0.25% F.S.
Repeatability	±0.2% F.S.

### Electrical Characteristics

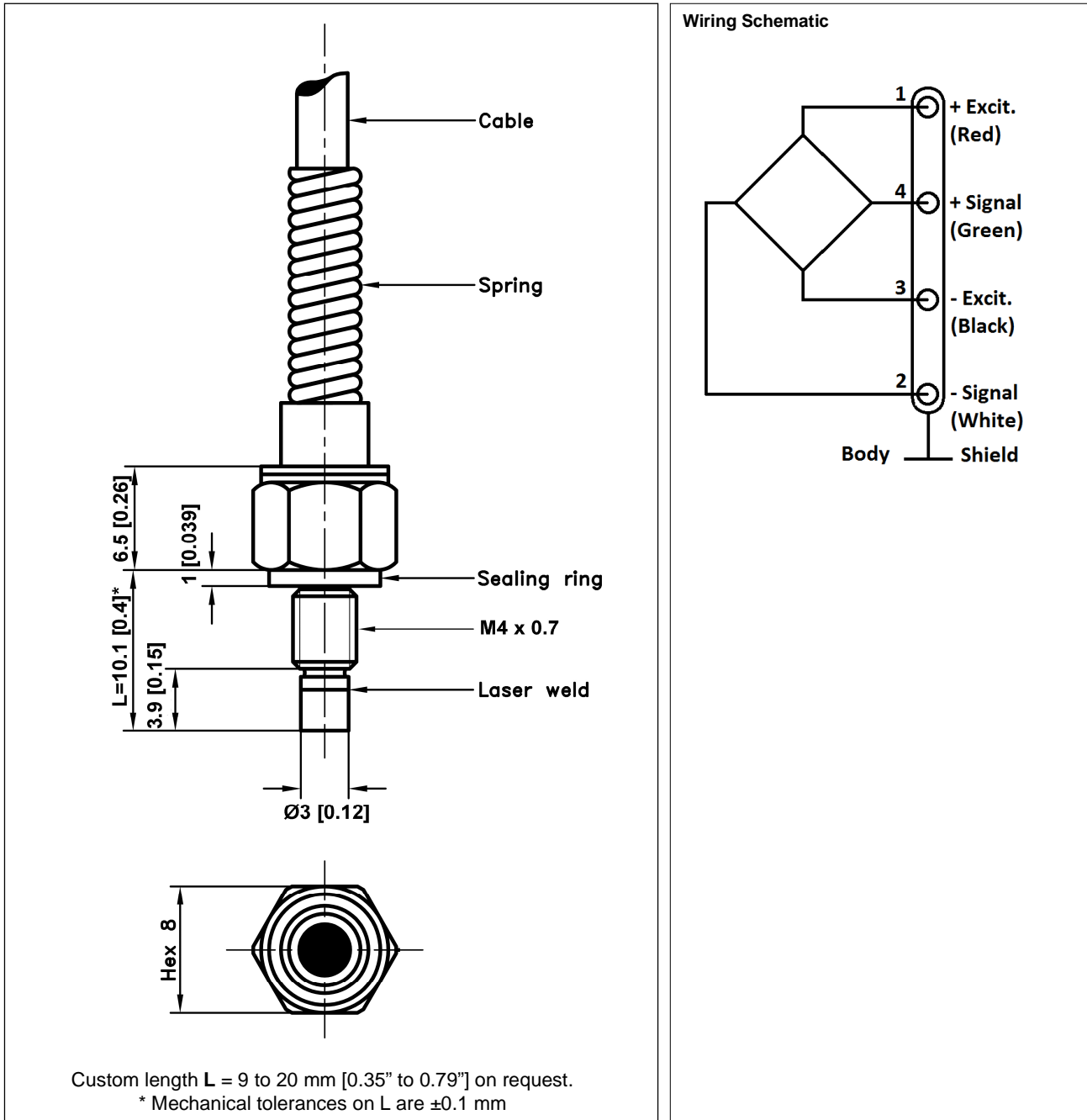
Model	XPM4
Supply Voltage	10Vdc
F.S. Outputs	Model 5 bar [75 psi] ; 30mV Model 10 bar [150 psi] ; 60mV Model > 10 bar [>150 psi] ; 100mV
Zero Offset	<±10mV
Input Impedance/Consumption	1500 Ω
Output Impedance	800 Ω
Insulation under 50Vdc	≥100MΩ

### Notes

1. Electrical Termination: Shielded Ø3 mm cable with 4 wires (AWG30), standard length 2.0 m [6.6 ft] with strain relief spring
2. Material: Body and flush diaphragm in titanium; laser welded
3. Protection Index: IP50
4. Resonance Frequency: 200-750kHz depending on F.S.
5. Self-centered, sealing ring supplied with the sensor
6. CE conformance according to EN 61010-1, EN 50081-1, EN 50082-1

# XPM4 Miniature Pressure Transducer

## DIMENSIONS & WIRING SCHEMATIC (IN METRIC AND IMPERIAL)



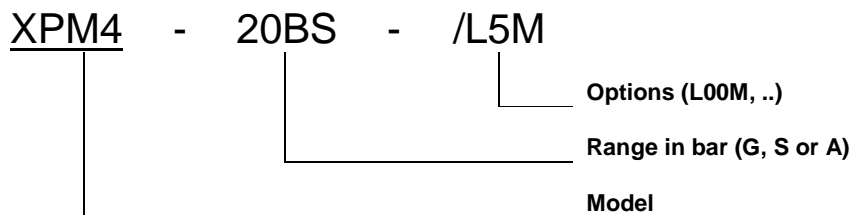
Dimensions in mm [inch]

## XPM4 Miniature Pressure Transducer

### OPTIONS

<b>A</b> : Absolute
<b>G</b> : Gauge
<b>S</b> : Sealed Gauge
<b>HA</b> : Accuracy (CNL&H) $\leq \pm 0.35\%$ F.S. ( $\leq \pm 0.5\%$ for 5 bar [75 psi] model)
<b>SI</b> : Sensitivity shift in CTR $\leq 1\%$ of reading / 60 °C [90 °F] (except 5 bar [75 p si] model)
<b>ZI</b> : Zero shift in CTR $\leq 1.5\%$ F.S. / 60 °C [140 °F] (except 5 bar [75 psi] model)
<b>ET1</b> : CTR -20 to 100 °C [-4 to 212 °F]
<b>ET3</b> : CTR -40 to 150 °C [-40 to 302 °F] OTR=CTR
<b>SC</b> : Connector output, prewired, cable length 2 m [6.6 ft]
<b>P5</b> : IP65 protection (available only for Absolute and Sealed Gauge versions)
<b>P7</b> : IP67 protection (available only for Absolute and Sealed Gauge versions)
<b>L00M</b> : special cable length, replace "00" with total length in meters

### ORDERING INFO



#### NORTH AMERICA

Measurement Specialties, Inc.  
Vibration Design Center  
32 Journey - Suite 150  
Aliso Viejo, CA 92656  
United States USA  
Tel: 1-949-716-0877  
Fax: 1-949-916-5677  
[t&m@meas-spec.com](mailto:t&m@meas-spec.com)

#### EUROPE

Measurement Specialties  
(Europe), Ltd.  
26 Rue des Dames  
78340 Les Clayes-sous-Bois,  
France  
Tel: +33 (0) 130 79 33 00  
Fax: +33 (0) 134 81 03 59  
[cs.lcsb@meas-spec.com](mailto:cs.lcsb@meas-spec.com)

#### ASIA

Measurement Specialties  
(China), Ltd.  
No. 26 Langshan Road  
Shenzhen High-Tech Park (North)  
Nanshan District, Shenzhen  
518057  
China  
Tel: +86 755 3330 5088  
Fax: +86 755 3330 5099  
[pfg.cs.asia@meas-spec.com](mailto:pfg.cs.asia@meas-spec.com)

The information in this sheet has been carefully reviewed and is believed to be accurate; however, no responsibility is assumed for inaccuracies. Furthermore, this information does not convey to the purchaser of such devices any license under the patent rights to the manufacturer. Measurement Specialties, Inc. reserves the right to make changes without further notice to any product herein. Measurement Specialties, Inc. makes no warranty, representation or guarantee regarding the suitability of its product for any particular purpose, nor does Measurement Specialties, Inc. assume any liability arising out of the application or use of any product or circuit and specifically disclaims any and all liability, including without limitation consequential or incidental damages. Typical parameters can and do vary in different applications. All operating parameters must be validated for each customer application by customer's technical experts. Measurement Specialties, Inc. does not convey any license under its patent rights nor the rights of others.