

## XS-D Series – High stroke-to-length ratio LVDT



- Excellent stroke-to-length ratio
- Lower weights than other standard LVDTs with comparable displacement ranges
- Stroke ranges from  $\pm 1$  to  $\pm 10$  inches
- Shock and vibration tolerant
- Stainless steel housing
- Magnetically shielded
- Imperial or metric threaded core

### DESCRIPTION

The **XS-D Series** LVDTs are specifically designed for measuring relatively large displacements where installation space is limited. The XS-D Series have a substantially greater displacement range than other standard LVDTs, but without the accompanying increase in body length and weight. Using special coil winding techniques, the XS-D permits linear range measurements of up to 80% of the housing length.

Compact, shock and vibration tolerant, and featuring infinite resolution and repeatability, the XS-D Series are the perfect choice for servo mechanisms, linear potentiometer replacement, or wherever precise displacement measurements are required in space restrictive applications. All models are supplied with a calibration certificate, and are available with either an imperial or metric threaded core. The XS-D Series are compatible with all Measurement Specialties LVDT signal conditioners, controllers and readouts.

Like in most of our LVDTs, the XS-D windings are vacuum impregnated with a specially formulated, high temperature, flexible resin, and the coil assembly is potted inside its housing with a two-component epoxy. This provides excellent protection against hostile environments such as high humidity, vibration and shock.

Measurement Specialties, Inc. (NASDAQ MEAS) offers many other types of sensors and signal conditioners. Data sheets can be downloaded from our web site at: <http://www.meas-spec.com/datasheets.aspx>

MEAS acquired Schaevitz Sensors and the **Schaevitz™** trademark in 2000.

### FEATURES

- Superior stroke-to-length ratio
- Stroke ranges from  $\pm 1$  to  $\pm 10$  inches
- Smooth transfer function
- AISI 400 Series stainless steel housing
- Calibration certificate supplied with all units

### APPLICATIONS

- Servo mechanisms
- Hydraulic actuators
- Linear potentiometer replacement
- Space restrictive installations
- Weight sensitive applications

# XS-D Series – High stroke-to-length ratio LVDT

## PERFORMANCE SPECIFICATIONS

ELECTRICAL SPECIFICATIONS					
Parameter	XS-D 1002	XS-D 2002	XS-D 3002	XS-D 5002	XS-D 10002
Stroke range	±1 [±25.4]	±2 [±50.8]	±3 [±76.2]	±5 [±127]	±10 [±254]
Sensitivity V/V/inch [mV/V/mm]	0.28 [11.0]	0.16 [6.3]	0.12 [4.7]	0.13 [5.1]	0.05 [2.0]
Output at stroke ends (*)	280mV/V	320mV/V	360mV/V	650mV/V	500mV/V
Phase shift	+30°	+25°	+7°	+0.5°	-4°
Input impedance (PRIMARY)	175Ω	243Ω	266Ω	968Ω	628Ω
Output impedance (SECONDARY)	230Ω	103Ω	220Ω	532Ω	416Ω
Non-linearity	±2.0% of FR, maximum				
Input voltage	3 VRMS sine wave				
Test input frequency	2.5kHz				
Input frequency range	400Hz to 3kHz				
Null voltage	0.5% of FRO, maximum				

ENVIRONMENTAL SPECIFICATIONS & MATERIALS	
Operating temperature	-65°F to +300°F [-55°C to 150°C]
Shock survival	1,000 g (11ms half-sine)
Vibration tolerance	20 g up to 2KHz
Housing material	AISI 410 Series stainless steel
Electrical connection	Six lead-wires, stranded 28 AWG, PTFE insulated, 1 foot [0.3m] long
IEC 60529 rating	IP61

**Notes:**

*Dimensions are in inch [mm]*

*All values are nominal unless otherwise noted*

*Electrical specifications are for the test frequency indicated in the table*

*(\*): Unit for output at stroke ends is millivolt per volt of excitation (input voltage)*

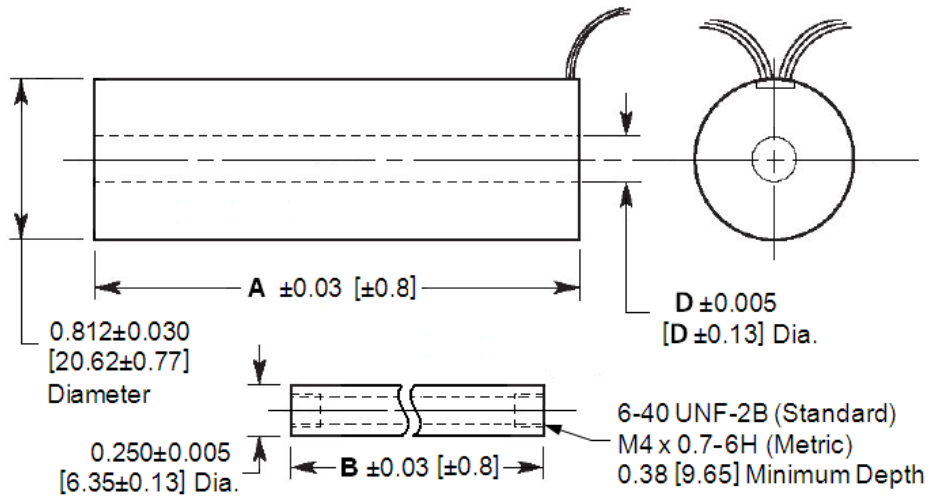
*FR: Full Range is the stroke range, end to end; FR=2xS for ±S stroke range*

*FRO (Full Range Output): Algebraic difference in outputs measured at the ends of the range*

# XS-D Series – High stroke-to-length ratio LVDT

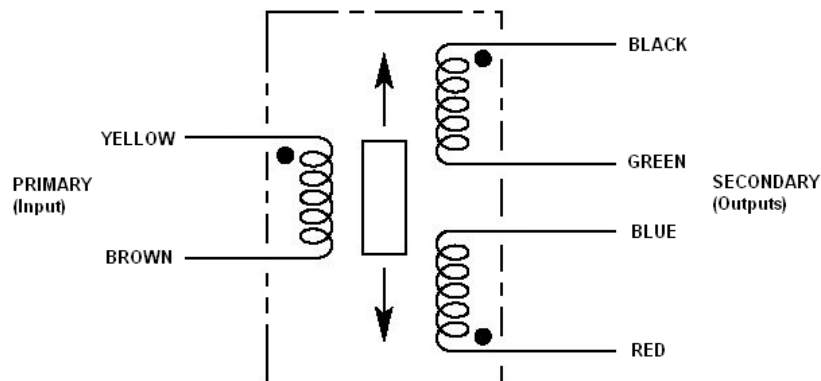
## MECHANICAL SPECIFICATIONS

Parameter	XS-D 1002	XS-D 2002	XS-D 3002	XS-D 5002	XS-D 10002
Main body length "A"	2.57 [65.2]	5.76 [146.3]	7.50 [190.5]	12.52 [318.0]	25.06 [636.5]
Core length "B"	0.45 [11.4]	1.50 [38.1]	1.25 [31.8]	2.40 [61.0]	4.00 [101.6]
Bore diameter "D"	0.265 [6.73]	0.265 [6.73]	0.30 [7.62]	0.30 [7.62]	0.35 [8.89]
Body weight, oz [g]	2.3 [65]	4.1 [115]	4.9 [140]	7.6 [215]	16.6 [470]
Core weight, oz [g]	0.09 [2.5]	0.28 [8.0]	0.24 [6.8]	0.44 [12.5]	0.88 [25.0]



Dimensions are in inches [mm]

## WIRING INFORMATION



Connect Green to Blue for differential output

# XS-D Series – High stroke-to-length ratio LVDT

## ORDERING INFORMATION

Description	Model	Part Number
±1 inch LVDT	XS-D1002	02560567-000
±2 inch LVDT	XS-D2002	02560568-000
±3 inch LVDT	XS-D3002	02560569-000
±5 inch LVDT	XS-D5002	02560571-000
±10 inch LVDT	XS-D10002	02560572-000

OPTIONS		
Description	Model	Part Number
Metric threaded core option (M4x0.7-6H threads)	All	XXXXXXXX-006

ACCESSORIES	
Description	Part Number
Core connecting rod, 6 inches long, 6-40 threads	05282947-006
Core connecting rod, 12 inches long, 6-40 threads	05282947-012
Core connecting rod, 24 inches long, 6-40 threads	05282947-024
Core connecting rod, 36 inches long, 6-40 threads	05282947-036
Core connecting rod, 6 inches long, M4x0.7 metric threads	05282978-006
Core connecting rod, 12 inches long, M4x0.7 metric threads	05282978-012
Mounting block	04560952-000

Refer to our "[Accessories for LVDTs](#)" data sheet for our LVDT signal conditioning instrumentation and other accessories.

## TECHNICAL CONTACT INFORMATION

NORTH AMERICA	EUROPE	ASIA
Measurement Specialties, Inc. 1000 Lucas Way Hampton, VA 23666 United States Phone: +1-800-745-8008 Fax: +1-757-766-4297 Email: <a href="mailto:sales@meas-spec.com">sales@meas-spec.com</a> Web: <a href="http://www.meas-spec.com">www.meas-spec.com</a>	MEAS Deutschland GmbH Hauert 13 D-44227 Dortmund Germany Phone: +49-(0)231-9740-0 Fax: +49-(0)231-9740-20 Email: <a href="mailto:info.de@meas-spec.com">info.de@meas-spec.com</a> Web: <a href="http://www.meas-spec.com">www.meas-spec.com</a>	Measurement Specialties China Ltd. No. 26, Langshan Road High-tech Park (North) Nanshan District, Shenzhen 518057 China Phone: +86-755-33305088 Fax: +86-755-33305099 Email: <a href="mailto:info.cn@meas-spec.com">info.cn@meas-spec.com</a> Web: <a href="http://www.meas-spec.com">www.meas-spec.com</a>

The information in this sheet has been carefully reviewed and is believed to be accurate; however, no responsibility is assumed for inaccuracies. Furthermore, this information does not convey to the purchaser of such devices any license under the patent rights to the manufacturer. Measurement Specialties, Inc. reserves the right to make changes without further notice to any product herein. Measurement Specialties, Inc. makes no warranty, representation or guarantee regarding the suitability of its product for any particular purpose, nor does Measurement Specialties, Inc. assume any liability arising out of the application or use of any product or circuit and specifically disclaims any and all liability, including without limitation consequential or incidental damages. Typical parameters can and do vary in different applications. All operating parameters must be validated for each customer application by customer's technical experts. Measurement Specialties, Inc. does not convey any license under its patent rights nor the rights of others.