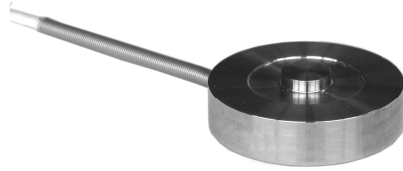


# FN2640 Press-Fit Load Cell



- Membrane Load Cell Design
- Range from 100 to 50,000 N (20 to 10,000 lbf)
- Stainless Steel or Aluminum
- Small Size

## DESCRIPTION

The **FN2640** is specially designed for overseeing manufacturing processes. It measures with high consistency the regularity of compression load generated when fitting pieces. With its compact design and robust construction, the sensor easily integrates into industrial environments for use in applications such as printing, embossing, or other mounting controls. The **FN2640** features a spherical load button for better load distribution.

With many years of experience as a designer and manufacturer of sensors, Measurement Specialties, Inc. often works with customers to design or customize sensors for specific uses and testing environments.

To meet your needs we also offer complete turnkey systems. The matched components (sensor, power, amplifier and digital display) are formatted, calibrated and ready for immediate use.

## FEATURES

- Full Scale Range: from 0-100 to 0-50,000 N (20 to 10,000 lbf)
- Compression
- For Static and Dynamic Applications
- Spherical Load Button
- Easy Installation

## APPLICATIONS

- Process Control Equipment
- Printing Embossing
- Laboratory and Research

## STANDARD RANGES

<b>F.S. Ranges in N</b>	100	250	500	1k	2,5k	5k	10k	25k	50k
<b>F.S. Ranges in lbf</b>	20	50	100	200	500	1k	2k	5k	10k
<b>Stiffness in N/m</b>	$5 \times 10^6$	$2 \times 10^7$	$5 \times 10^7$	$9 \times 10^7$	$3 \times 10^8$	$1 \times 10^9$	$8 \times 10^8$	$3 \times 10^9$	$9 \times 10^9$
<b>Stiffness in lbf/ft</b>	$3.4 \times 10^5$	$1.4 \times 10^6$	$3.4 \times 10^6$	$6.2 \times 10^6$	$2.1 \times 10^7$	$6.9 \times 10^7$	$5.5 \times 10^7$	$2.1 \times 10^8$	$6.2 \times 10^8$
<b>Material</b>	Aluminum alloy			Stainless steel					

# FN2640 Press-Fit Load Cell

## PERFORMANCE SPECIFICATIONS

All values are typical at temperature 20 ±1°C

PARAMETERS	
Operating Temperature Range (OTR)	-20 to 80°C [-4 to 176°F]
Compensated Temperature Range (CTR)	0 to 60°C [32 to 140°F]
Zero Shift in CTR	<0.5% F.S. / 50°C [/100°F]
Sensitivity Shift in CTR	<1% of reading / 50°C [/100°F]
Range (F.S.)	0-100 N to 0-50 kN [20 lbf to 10 klf]
Over-Range	
Without Damage	3 x F.S.
Without Destruction	5 x F.S.
Accuracy	
Combined Non-Linearity & Hysteresis	±1% F.S.

### Electrical Characteristics

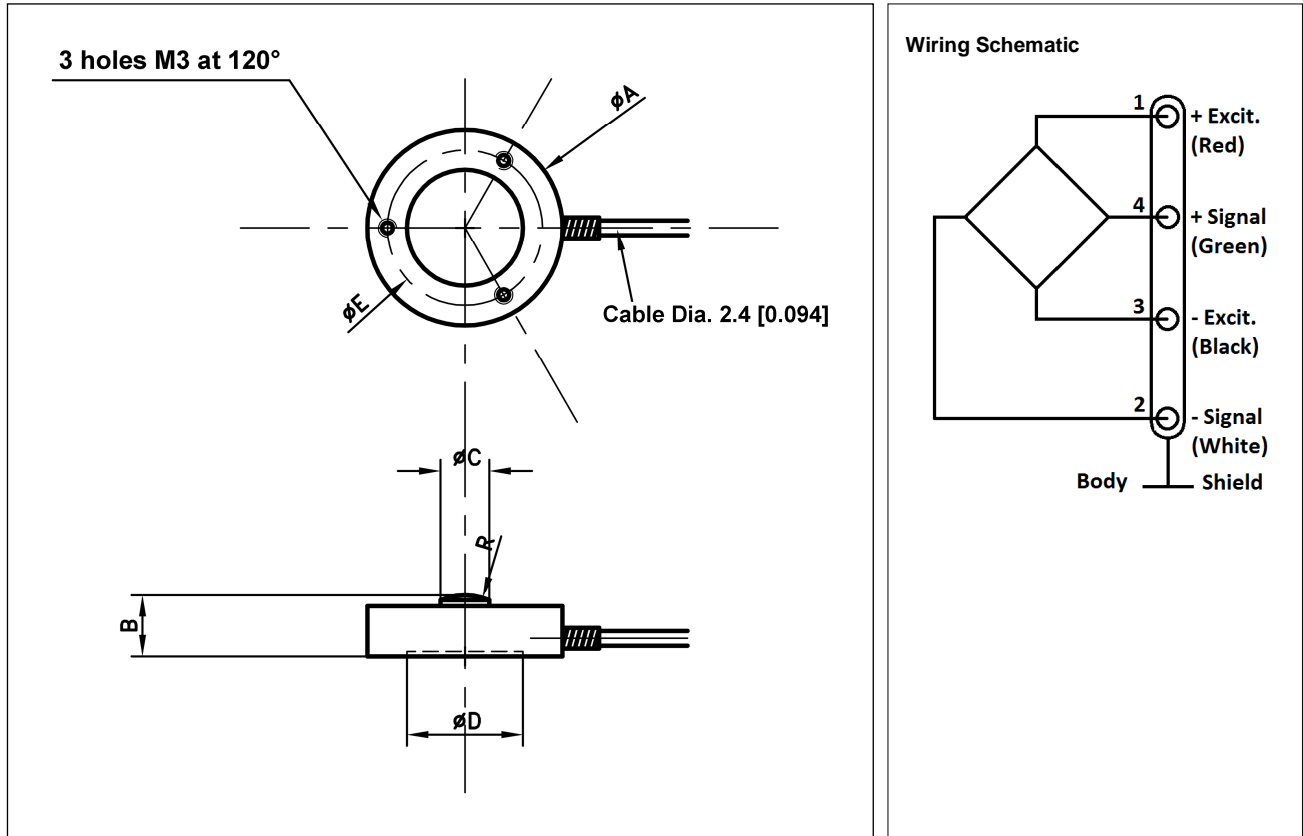
<b>Model</b>	<b>FN2640</b>
Supply Voltage	10Vdc
F.S. Output	1mV/V
Zero Offset	<±5% F.S.
Input Impedance/Consumption	350 to 700Ω
Output Impedance	350 to 750Ω
Insulation under 50Vdc	≥100MΩ

### Notes

1. Electrical Termination: Shielded cable; standard length 2 m [6.5 ft] with strain relief spring
2. Materials: Body in stainless steel or aluminium alloy depending on F.S.
3. CE conformance according to EN 61010-1, EN 50081-1, EN 50082-1

# FN2640 Press-Fit Load Cell

## DIMENSIONS & WIRING SCHEMATIC (IN METRIC AND IMPERIAL)



Dimensions in mm [inch]

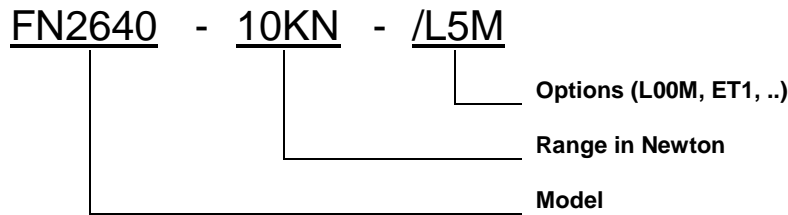
F.S. Ranges in N [lbf]	100 [20]	250 [50]	500 [100]	1k [200]	2.5k [500]	5k [1k]	10k [2k]	25k [5k]	50k [10k]
$\phi A$			32 [1.26]				53 [2.09]		
B			10 [0.39]				16 [0.63]		
$\phi C$			8 [0.31]				22 [0.87]		
$\phi D$			19 [0.75]				40 [1.57]		
$\phi E$			25.5 [1.00]				46.5 [1.83]		
R			15 [0.59]				50 [1.97]		
Material	Aluminum alloy			Stainless steel					

# FN2640 Press-Fit Load Cell

## OPTIONS

**L00M** : special cable length, replace "00" with total length in meters

## ORDERING INFO



### NORTH AMERICA

Measurement Specialties, Inc.  
Vibration Design Center  
32 Journey - Suite 150  
Aliso Viejo, CA 92656  
United States USA  
Tel: 1-949-716-0877  
Fax: 1-949-916-5677  
[t&m@meas-spec.com](mailto:t&m@meas-spec.com)

### EUROPE

Measurement Specialties  
26 Rue des Dames  
78340 Les Clayes-Sous-Bois,  
France  
Tel: +33 (0) 130 79 33 00  
Fax: +33 (0) 134 81 03 59  
[cs.lcsb@meas-spec.com](mailto:cs.lcsb@meas-spec.com)

### ASIA

Measurement Specialties  
(China), Ltd.  
No. 26 Langshan Road  
Shenzhen High-Tech Park (North)  
Nanshan District, Shenzhen  
518057  
China  
Tel: +86 755 3330 5088  
Fax: +86 755 3330 5099  
[pfg.cs.asia@meas-spec.com](mailto:pfg.cs.asia@meas-spec.com)

The information in this sheet has been carefully reviewed and is believed to be accurate; however, no responsibility is assumed for inaccuracies. Furthermore, this information does not convey to the purchaser of such devices any license under the patent rights to the manufacturer. Measurement Specialties, Inc. reserves the right to make changes without further notice to any product herein. Measurement Specialties, Inc. makes no warranty, representation or guarantee regarding the suitability of its product for any particular purpose, nor does Measurement Specialties, Inc. assume any liability arising out of the application or use of any product or circuit and specifically disclaims any and all liability, including without limitation consequential or incidental damages. Typical parameters can and do vary in different applications. All operating parameters must be validated for each customer application by customer's technical experts. Measurement Specialties, Inc. does not convey any license under its patent rights nor the rights of others.