

GCD Series – DC Operated Gage Heads



- Hermetically sealed housing
- 25 μ -inch [0.6 μ m] repeatability
- IEC IP68 rating to 1,000 PSI [70 bars]
- Long strokes up to ± 2 inches
- Hardened tool steel contact tip
- High side load resistance
- Long cycle life

DESCRIPTION

The **GCD Series** heavy-duty DC operated gage heads enable high performance in environments containing moisture, dirt, and fluid contaminants. These Gage heads are spring loaded LVDTs (Linear Variable Differential Transformers) with precision linear bearings and internal conditioning electronics. Operating on a nominal ± 15 VDC supply, the GCD Series delivers an extremely linear, low noise ± 10 VDC output.

These robust gage heads allow measurements over stroke ranges from ± 0.05 inch [± 1.27 mm] up to ± 2 inches [± 50.8 mm]. The spring force is typically 9oz [255 grams] at fully compressed electrical stroke. A removable black-chromed, hardened tool steel tip is threaded (4-48UNF-2A) to the working end. Internal construction prevents the core and shaft from rotating as they move longitudinally. The integral electrical connector (welded) provides for easy installation and allows replacing a damaged cable without sacrificing the sensor. Installation and adjustment are facilitated by an external $\frac{1}{2}$ -20 mounting thread and the two locknuts supplied with each unit.

Like in most of our LVDTs, the GCD windings are vacuum impregnated with a specially formulated, high temperature, flexible resin, and the coil assembly is potted inside its housing with a two-component epoxy. This provides excellent protection against hostile environments such as high vibration and shock.

The ruggedness, long life cycle, and very high reliability of the GCD Series provide a low cost of ownership over the life of the equipment onto which they are installed. The one-piece front end (barrel which contains the bearing assembly), machined from solid stainless steel bar, coupled with a bronze bushing, has far greater resistance to bending forces and side loads compared to other designs. This is particularly important on the longer stroke versions; it reduces the common risk of probe damage/bending during installation or maintenance of industrial equipment. The GCD Series designs also require fewer parts and weld joints, thereby increasing overall structural integrity and reliability.

MEAS offers options, such as mating connector plugs, special contact tips (including AGD dial indicator tips), air-extend/spring retract, and cable assemblies. Also see our other models with built-in signal conditioning, **GCD-SE** (single-ended DC voltage), **GCT** (4-20mA 2-wire loop) and **GC-485** (RS-485 Digital Series), as well as the AC operated **GCA**.

Measurement Specialties, Inc. (NASDAQ MEAS) offers many other types of sensors and signal conditioners. Data sheets can be downloaded from our web site at: <http://www.meas-spec.com/datasheets.aspx>

MEAS acquired Schaevitz Sensors and the **Schaevitz™** trademark in 2000.

FEATURES

- All-welded stainless steel construction
- Resistant to harsh environments
- MS type connector (MIL-C-5015)
- Long cycle life
- CE compliant
- Calibration certificate supplied with each unit
- Air extend/spring retract available (*Consult factory*)

APPLICATIONS

- Factory automation
- Industrial printing equipment
- Steel mills
- Metal thickness gaging
- Environments requiring hermetically sealed transducers
- In-process measurements (feedback loop with PLC or CNC controller)

GCD Series – DC Operated Gage Heads

PERFORMANCE SPECIFICATIONS

| ELECTRICAL SPECIFICATIONS | | | | | | |
|------------------------------|--|---------------|--------------|--------------|-------------|-------------|
| Parameter | GCD-050 | GCD-125 | GCD-250 | GCD-500 | GCD-1000 | GCD-2000 |
| Stroke/gaging range | ±0.050 [1.27] | ±0.125 [3.17] | ±0.25 [6.35] | ±0.50 [12.7] | ±1.0 [25.4] | ±2.0 [50.8] |
| Sensitivity, volts/inch | 200 | 80 | 40 | 20 | 10 | 5 |
| Input voltage | +/-15VDC | | | | | |
| Input current | 30mA, maximum | | | | | |
| Output at stroke ends | +/-10VDC (Output is positive when the core is displaced from null towards the connector) | | | | | |
| Non-linearity | ±0.25% of FR, maximum | | | | | |
| Repeatability | 25 µ-inch [0.6 µm] | | | | | |
| Stability | 0.125% of FSO after warm up | | | | | |
| Frequency response (dynamic) | 15Hz, maximum | | | | | |

| ENVIRONMENTAL SPECIFICATIONS & MATERIALS | |
|--|--|
| Operating temperature | +32°F to +160°F [0°C to 70°C] |
| Survival temperature | -65°F to +200°F [-55°C to 95°C] |
| Shock survival | 250 g (11ms half-sine) |
| Vibration tolerance | 10 g up to 2kHz |
| Housing material | AISI 400 Series stainless steel |
| Electrical connector | 6-pin MS type connector (MIL-C-5015) |
| IEC 60529 rating | IP68 to 1,000 PSI [70 bars] with use of proper mating connector plug |

Notes:

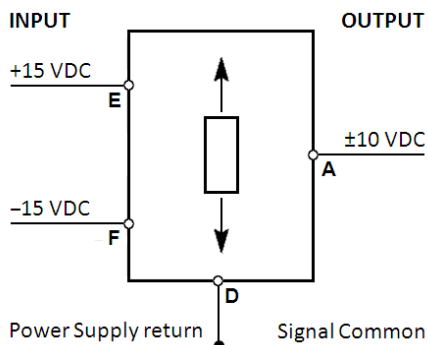
All values are nominal unless otherwise noted

Dimensions are in inch [mm] unless otherwise noted

FR: Full Range is the stroke range, end to end; FR=2xS for ±S stroke range

FSO (Full Scale Output): Largest absolute value of the outputs measured at the ends of the range

WIRING INFORMATION

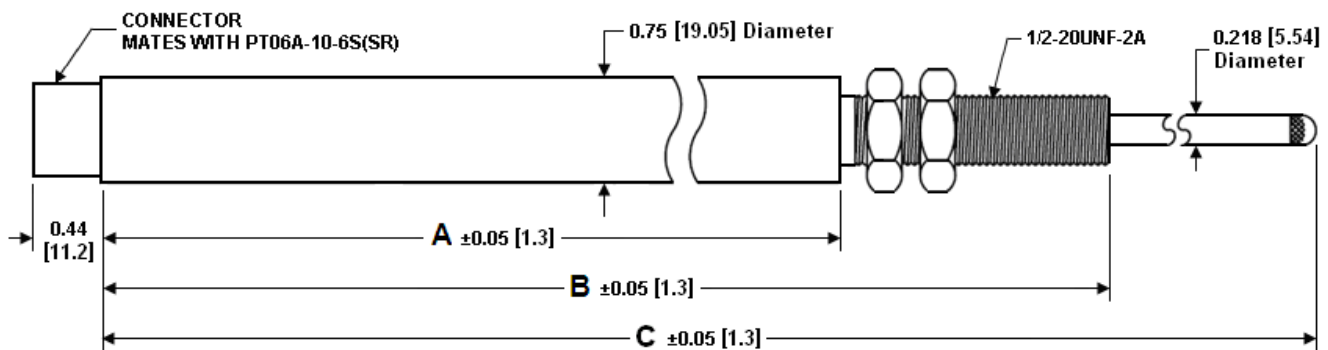


A through F: Connector pin assignments

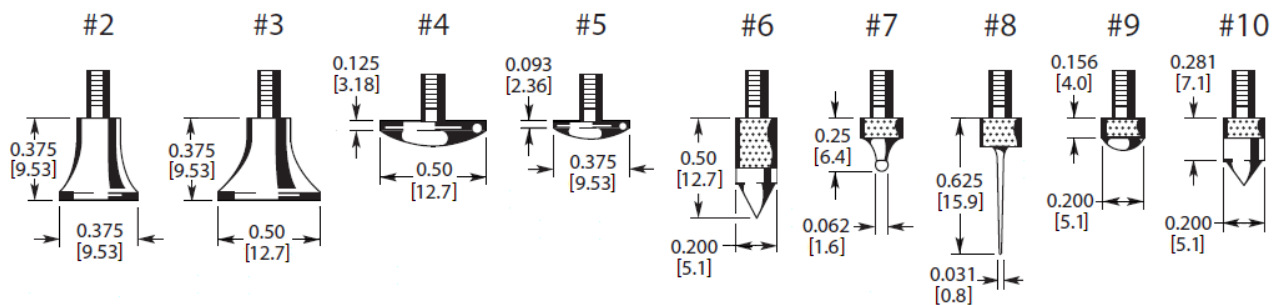
GCD Series – DC Operated Gage Heads

MECHANICAL SPECIFICATIONS

| Parameter | GCD-050 | GCD-125 | GCD-250 | GCD-500 | GCD-1000 | GCD-2000 |
|--|---|---------------|--------------|---------------|---------------|---------------|
| Stroke/gaging range | ±0.050 [1.27] | ±0.125 [3.17] | ±0.25 [6.35] | ±0.5 [12.7] | ±1 [25.4] | ±2 [50.8] |
| Pre-travel | 0.20 [5.1] | 0.23 [5.8] | 0.05 [1.3] | 0.20 [5.1] | 0.14 [3.6] | 0.10 [2.5] |
| Over-travel (minimum) | 0.39 [9.90] | 0.25 [6.4] | 0.20 [5.1] | 1.0 [25.4] | 0.15 [3.81] | 0.00 [0.0] |
| Main body length "A" | 2.66 [67.6] | 3.5 [88.9] | 4.37 [111.0] | 6.06 [153.9] | 8.31 [211.1] | 11.63 [295.4] |
| Overall body length "B" | 4.02 [102.1] | 4.87 [123.7] | 5.74 [145.8] | 9.05 [229.9] | 11.29 [286.8] | 17.12 [434.8] |
| Plunger length "C" (fully extended) | 5.08 [129.0] | 5.90 [149.9] | 6.77 [172.0] | 11.53 [292.9] | 13.76 [349.5] | 21.67 [550.4] |
| Weight, Ounce | 2.5 oz | 3.3oz | 3.5 oz | 5.5 oz | 8.0 oz | 14.0 oz |
| Weight, Gram | 71 G | 93 G | 100 G | 156 G | 227 G | 397 G |
| Spring force | Typically 9oz [255 grams] at fully compressed electrical stroke | | | | | |



REPLACEMENT/OPTIONAL CONTACT TIPS



Dimensions are in inch [mm]

GCD Series – DC Operated Gage Heads

ORDERING INFORMATION

| Description | Model | Part Number |
|--|------------------------|--------------|
| ±0.050 inch gage head | GCD 050 | 02350509-000 |
| ±0.125 inch gage head | GCD 125 | 02350510-000 |
| ±0.25 inch gage head | GCD 250 | 02350511-000 |
| ±0.5 inch gage head | GCD 500 | 02350512-000 |
| ±1 inch gage head | GCD 1000 | 02350513-000 |
| ±2 inch gage head | GCD 2000 | 03350159-000 |
| OPTIONS | | |
| Air extend/spring retract gage head <i>(Consult factory)</i> | All GC Series | XXXXXXXX-150 |
| ACCESSORIES | | |
| Dual rail DC power supply (±15VDC) | PSD 40-15 | 02291339-000 |
| Mating connector kit | PT06A-10-6S(SR) | 62101011-000 |
| Cable with wired mating connector (1) | GCD to Stripped/Tinned | 04290583-000 |
| Replacement contact tips | Contact Tip 2 | 67010005-000 |
| | Contact Tip 3 | 67010006-000 |
| | Contact Tip 4 | 67010002-000 |
| | Contact Tip 5 | 67010007-000 |
| | Contact Tip 6 | 67010008-000 |
| | Contact Tip 7 | 67010009-000 |
| | Contact Tip 8 | 67010010-000 |
| | Contact Tip 9 | 67010001-000 |
| | Contact Tip 10 | 67010011-000 |

(1) Cables are shielded, 10 foot long, and rated 80°C [176°F] operating. Consult factory for other lengths.

Refer to our [“Options and Accessories for Gage Head”](#) data sheet.

TECHNICAL CONTACT INFORMATION

| NORTH AMERICA | EUROPE | ASIA |
|---|--|---|
| Measurement Specialties, Inc. 1000 Lucas Way Hampton, VA 23666 United States Phone: +1-800-745-8008 Fax: +1-757-766-4297 Email: sales@meas-spec.com Web: www.meas-spec.com | MEAS Deutschland GmbH Hauert 13 D-44227 Dortmund Germany Phone: +49-(0)231-9740-0 Fax: +49-(0)231-9740-20 Email: info.de@meas-spec.com Web: www.meas-spec.com | Measurement Specialties China Ltd. No. 26, Langshan Road High-tech Park (North) Nanshan District, Shenzhen 518057 China Phone: +86-755-33305088 Fax: +86-755-33305099 Email: info.cn@meas-spec.com Web: www.meas-spec.com |

The information in this sheet has been carefully reviewed and is believed to be accurate; however, no responsibility is assumed for inaccuracies. Furthermore, this information does not convey to the purchaser of such devices any license under the patent rights to the manufacturer. Measurement Specialties, Inc. reserves the right to make changes without further notice to any product herein. Measurement Specialties, Inc. makes no warranty, representation or guarantee regarding the suitability of its product for any particular purpose, nor does Measurement Specialties, Inc. assume any liability arising out of the application or use of any product or circuit and specifically disclaims any and all liability, including without limitation consequential or incidental damages. Typical parameters can and do vary in different applications. All operating parameters must be validated for each customer application by customer's technical experts. Measurement Specialties, Inc. does not convey any license under its patent rights nor the rights of others.